






12 SERIES

<http://tiny.cc/12seriesEN>

 TIPPING LOAD 1530¹ kg	 ENGINE POWER 40 hp	 SPEED 20² km/h	 FLOW RATE 52 l/min	 LIFT HEIGHT 3,45² m
--	--	---	--	--

(1) 12.4 - (2) 12.4T 2V

**NEW**

Model	12.4	12.4 2V	12.4 T	12.4 T 2V
Engine	Yanmar 3TNV88			
Power (Iso Gross)	40 HP			
Fuel	Diesel			
Transmission	Hydrostatic			
Drive speed (max.) (1)	13 km/h (8 mph)	Double speed: 10 - 20 km/h (6.2 - 12.4 mph)	13 km/h (8 mph)	Double speed: 10 - 20 km/h (6.2 - 12.4 mph)
Boom	Standard	Standard	Telescopic	Telescopic
Aux. hydraulics oil flow	52 l/min (13.7 GPM)			
Max. lifting height	2,4 m (94.5 in)		3,45 m (135.8 in)	
Tipping load, max (2)	2009 kg (4430 lbs)		1349 kg (2974 lbs)	
Lifting capacity (3)	1439 kg (3172 lbs)		1259 kg (2775 lbs)	
Breakout force / 50 cm w/bucket	1750 kg (3858 lbs)		1840 kg (4056 lbs)	
Pushing force (c)	1900 kgf (1900 kp)			
Specific ground pressure (w/std tires)	1121 kg/m ² (230 lbs/sqft)		1186 kg/m ² (243 lbs/sqft)	
Turning radius: inside/outside	1200 / 2437 mm (47.2/95.9 in)			
Standard tires (Skid profile)	27x8.50-15			
Weight	2075 kg (4575 lbs)		2195 kg (4839 lbs)	
Product Code	C985400	C985410	C985420	C985430
Price				

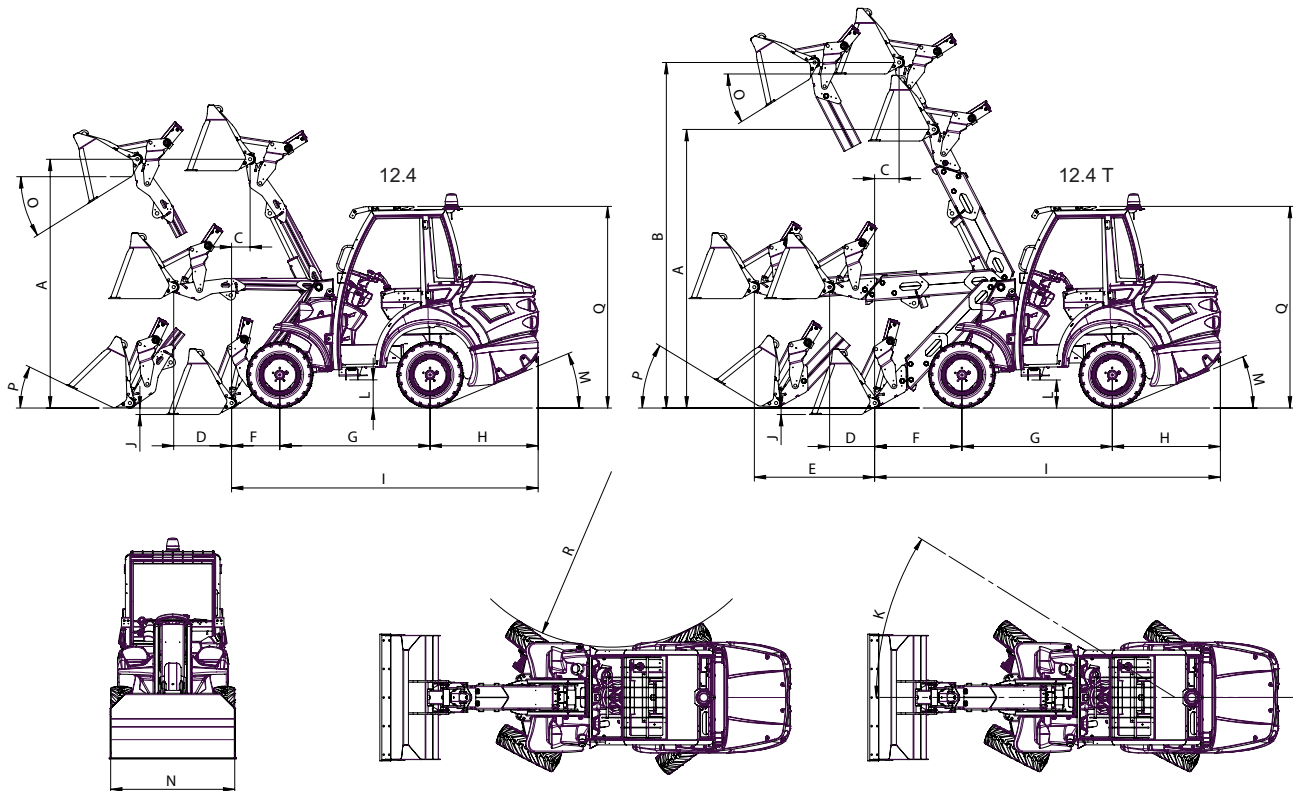
(1) Maximum speed that can be achieved with the largest diameter tires available, on a flat surface and machine without attachments.

(2) Maximum load that can be lifted just off the ground when the machine is straight. Weight of attachment included.

(3) Machine straight and boom not extended. Weight of attachment is included (80% of tipping load).

MULTI ONE

12 SERIES FEATURES AND OPTIONS



DIMENSIONS (mm / in)

	12.4	12.4 T		12.4	12.4 T
A - Pivot point height (not ext. boom)	2375 / 93.5	2800 / 110.2	K - Steering Angle	32°	
B - Pivot point height (ext. boom)	/	3450 / 135.8	I - Machine length	3015 / 118.7	3460 / 136.2
C - Outreach (lifted boom)	178 / 7	244 / 9.6	L - Ground clearance	280 / 11	
D - Outreach (orizontal boom)	450 / 17.7	450 / 17.7	M - Angle of departure	22°	
E - Outreach (ext. orizontal boom)	/	1200 / 47.2	N - Max width (std tires)	1237 / 48.7	
F - Front length	416 / 16.4	870 / 34.2	O - Dump angle	32°	
G - Wheelbase	1490 / 58.7		P - Rollback angle	26°	
H - Rear length	1100 / 43.3		Q - Height (std tires)	2000 / 78.7	
J - Digging Depth	160 / 6.3	65 / 2.6	R - Inside turning radius	1200 / 47.2	

Features

- 4WD hydrostatic Direct Drive motors, proportional servo control
- Self-levelling boom
- Dual steering system: all-wheel and crab
- 11-functions joystick
- Multi-disk parking brake
- Radial Piston high efficiency and heavy duty wheel motors
- Hi-Flow system (optional)
- Hydraulic multiconnector
- 2 Speed (only 2V model)
- Hydraulic oil cooler
- ROPS-FOPS Level I
- LCD graphic display with programmed service (tachometer, hour meter, fuel gauge, maintenance light, light indicator and other 14 indicators)
- Ergonomic full adjustable suspension seat with armrest and seat belt
- 2 front working light
- Ready to fit cabin
- Backup warning beeper

Tires size	Width (N)	Height (Q)
27X10.50-15	1287 mm (50.7 in)	2000 mm (78.7 in)
10-16.5	1280 mm (50.4 in)	2070 mm (81.5 in)
400/50-15 (31x15.50-15)	1580 mm (62.2 in)	2055 mm (80.9 in)

12 SERIES FEATURES AND OPTIONS

Options	Code	Price
4 wheel spacer 10 mm (0.4 in) (max. 1 pcs for wheel)	C880090	
Flat face coupling kit	C880221	
Warning & Safety lights for road travel (with mirrors)	C882001	
Trailer Coupling	C882002	
Hi-Flow kit for Standard Boom (only for C985400 and C985410)	C882003	
Rear hydraulic outlet	C882004	
Fully enclosed cab with heating system and mirrors	C882006	
Hi-Flow kit for Telescopic Boom (only for C985420 and C985430)	C882007	
Heating system	C882008	
Rear inner weights 100 kg/220 lbs	C882009	
Biodegradable oil	C883007	
Beacon light	C883039	
Tie down bracket on wheel hub, set of 4	C883065	
Skid tires 10-16.5, set of 4	C883106	
Skid tires 27x10.50-15, set of 4	C884012	
Turf tires 400/50-15 (31x15.50-15), set of 4	C884014	
Tractor tires 400/50-15 (31x15.50-15), set of 4	C884015	
Heated seat	C885015	
220 V engine block heater	C885250	
110 V engine block heater	C885255	
Adapter plate to connect mini loader MultiOne attachments	C890025	
Snow chains for wheel	see page 66	