



ENGINE

Make	: Mercedes-Benz 6R1100
Type	: OM470LA EU Stage IV Diesel Engine
Number of Cylinders	: 6 in line
Bore & Stroke	: 125 x 145 mm
Displacement	: 10.700 cc
Maximum Power	: 324 HP (242 kW) @ 1800 rpm
Maximum Torque	: 1600 Nm (1300 rpm)

High power and torque output, water cooled turbocharged diesel engine.
Compatible with European EC Stage IV exhaust gas emission regulations

TRANSMISSION

- Autoshift transmission for heavy duty service
- 5 forward, 3 reverse gears
- Torque converter with 2.194:1 stall ratio
- Electrically controlled 4 Wheel Drive
- Transmission oil cooler
- Engine start only at the gear lever on neutral position for safety.
- Electronic parking brake

HYDRAULIC SYSTEM

Closed center type hydraulic system with LS type variable displacement piston type pumps.

Pump Flow (Pump 1)	: 190 l/min (1900 rpm)
Pressure (Pump 1)	: 210 bar
Pump Flow (Pump 2)	: 190 l/min (1900 rpm)
Pressure (Pump 2)	: 250 bar
Pump Flow (Pump 3)	: 85 l/min (1900 rpm)
Pressure (Pump 3)	: 250 bar

DRIVING SPEED

At 1900 rpm engine speed		
1 st gear	: 6.9	km/h
2 nd gear	: 11.7	km/h
3 rd gear	: 18.4	km/h
4 th gear	: 25.4	km/h
5 th gear	: 37.9	km/h

AXLES

- Heavy duty type ZF axles
- Planetary type reduction gears
- Total 26 degrees oscillation on the rear axle
- Equipped with differential lock on the front axle

CAB & HOOD

- Widened visual angle
- Ergonomic & Aesthetic Interior Design
- 8" LCD coloured touchpad display
- Improved Opera Control System
- Externally servicable automatic Air Conditioner system
- Cool-box
- Electro hydraulic control levers
- ROPS and FOPS certificated cab
- 35° tilting cab for maintenance
- Air suspension seat with heating and cooling
- TIPSHIFT control on operator console
- Pool type floor mats
- Tablet PC and phone holder
- SmartLink (Optional)
- Storage boxes for operator
- Sun-wisors
- LED headlamps
- LED working lighths
- Electrically controlled side mirrors with heating
- Rear view camera
- One-piece opening hood, electrically controlled.
- Independently adjustable joystick console and armed
- Mono block hood electrically controlled

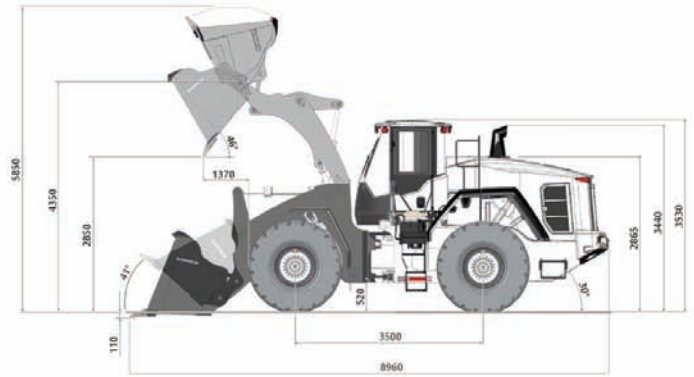
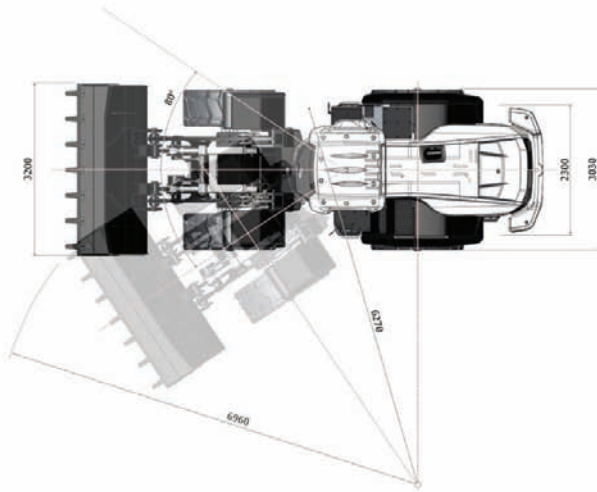
TIRES

Front / Rear : 26.5R25-L3

OPERATING WEIGHT

Operating weight (with standard equipment) : 26.480 kg

HMK 640 WL



PERFORMANCE

Bucket capacity (m ³)	4
Max. breakout force (kgf)	19975
Lifting capacity to maximum height (Articulated) (kgf)	17207
Static tipping load (no tire deflection) (kgf)	18500
Static tipping load- articulated (no tire deflection) (kgf)	16082

Operator cab

- ROPS/FOPS
- Smartlink (Optional)
- Automatic air conditioner
- Sliding side window
- Coat hook
- Single key (door/start)
- Viscous mounts
- Front and rear windshield wipers
- Dome light

Linkage

- Double Z-bar
- Auto-lift
- Return to Dig (RTD)
- Auto bucket curl (ABC)

Power Train

- 5 forward 3 reverse gear
- Torque convertor
- Axles, manually actuated differential lock
- SAHR type parking brake on transmission

Hydraulics

- Load sensing steering and hydraulics
- Ride Control System (MSS)
- Proportional and bi-directional hydrostatic fan
- Emergency steering system
- Remote diagnostic pressure taps

Electrical and Lighting

- 24 V
- Batteries (2) maintenance free, 1200 CCA
- Alternator, 100 Amp
- LED headlamps (2)
- LED working lamps (4 front, 4 rear, 2 hood)
- LED stoplights
- Ignition key, start stop switch
- 12V outlet
- Reverse alarm
- Main disconnect switch

Others

- Air (engine/cab) transmission oil, hydraulic oil, engine oil filters
- Tool-box, lockable
- Engine and transmission oil remote fill
- Lubrication manifolds
- Radio with USB/AUX

HIDROMEK®

FACTORY - HEAD OFFICE
 Ayas yolu 25. km 1. Organize Sanayi Bölgesi Osmanlı Caddesi No: 1
 06935 Sincan / ANKARA / TURKEY
 Phone: (+90) 312 267 12 60 Fax: (+90) 312 267 21 12
 www.hidromek.com email: export@hidromek.com.tr

Notice:
 HIDROMEK has the right to modify the specifications and design of the model indicated on this brochure without prior notice.